

15
LITRE

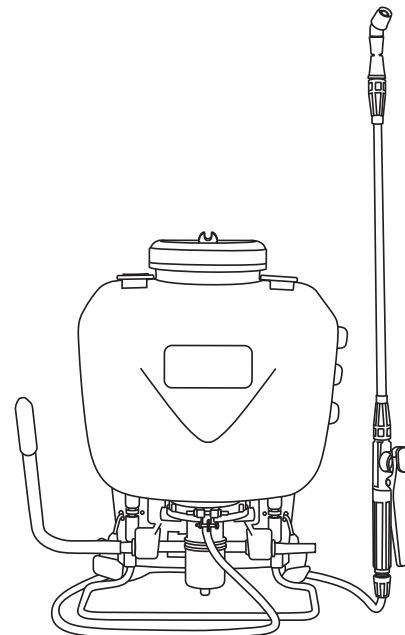
nylex

Heavy Duty Backpack Sprayer



INSTRUCTION MANUAL

nylex



WARNING:

For your personal safety please carefully read the instruction manual and take note of the safety warnings.

Failure to comply with these warnings may result in serious injury.

- The sprayer is designed and manufactured solely for use with liquid chemicals used for gardening, horticulture, agriculture, and disinfecting when resistance to aggressive chemicals is required. Under no circumstances may it be used for any other purposes.
- Refer to the chemical manufacturer's label for correct use and safe handling instructions of chemicals before filling or using the sprayer. If unsure of chemical and seal compatibility please contact the chemical manufacturer for further information.
- Prior to using the sprayer all operators must read and fully understand the contents of this instruction manual and all safety information.
- Always wear the recommended safety clothing and equipment when handling chemical and operating the sprayer.
- Dispose of empty chemical containers and chemical residues in accordance with the instructions supplied by the chemical manufacturer.

DO'S

- Release pressure before filling/servicing
- Release pressure and clean after use
- Wear safety goggles and gloves
- Wear protective clothing and mask
- Spray water soluble chemicals
- Ensure adequate ventilation
- Wash hands and face after use
- Store away from sunlight
- Hand tighten fittings only
- Rinse inside of bottle before use
- Read and understand chemical manufacturers' safety directions

DONT'S

- Spray flammable liquids or solvents
- Eat, drink or smoke when spraying
- Direct spray on humans or animals
- Spray in windy conditions
- Spray in confined spaces
- Leave within reach of children
- Overfill the bottle
- Stand sprayer near naked flame or hot surfaces
- Tighten fittings with pliers etc.
- Allow children to use as a toy
- Modify bottle
- Leave bottle unattended, especially if containing chemicals

Included Parts

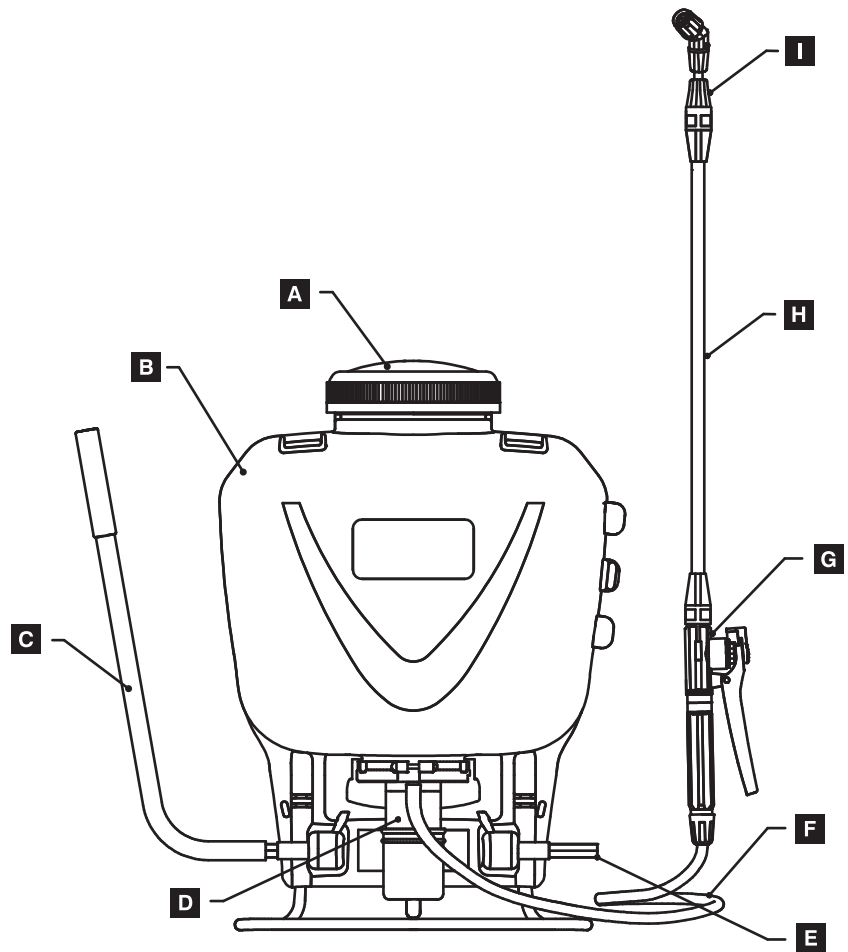
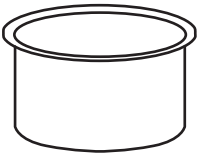
- A** Tank Lid
- B** Tank
- C** Pump Lever
- D** Cylinder
- E** Metal Shaft
- F** Plastic Tube
- G** Trigger
- H** Lance
- I** Nozzle

Changeable spray heads:

Cone Spray Nozzle
Flat Fan Style Head
Dual Spray Head

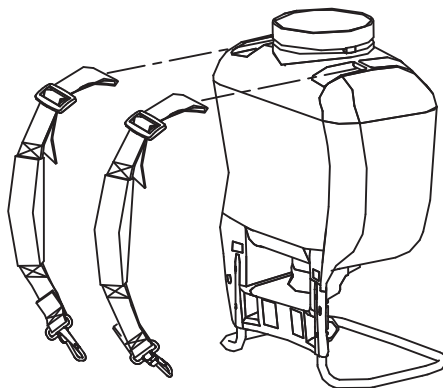


Strainer located under tank lid:

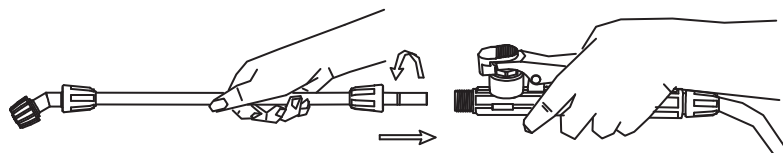


Sprayer Assembly Instructions:

1. Unpack sprayer from the carton.
2. Unscrew tank lid from the sprayer and remove all contents from inside the sprayer.
3. The top of the shoulder straps come pre-attached. To attach the straps, use the strap clip and hook to the side openings on the back of the sprayer. Adjust to desired length.



4. Lance is preassembled with cone spray nozzle. To change the nozzle, unscrew the spray tip and replace with another tip provided.
5. Assemble the lance by connecting the lance to the trigger and tightening the rod nut.



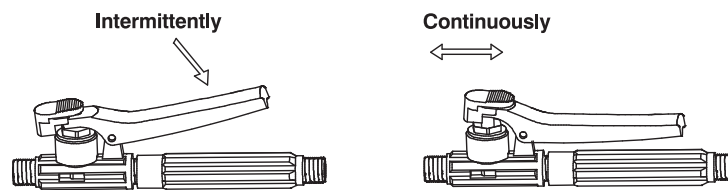
6. Attach the pump handle to metal bar on your desired side, by firmly connecting the pump lever onto the metal shaft.
7. Finish assembling the sprayer by checking and tightening all connection points of the sprayer.

Operating Instructions

IMPORTANT!

- Before using any chemicals including herbicides, pesticides, insecticides and weed killers it is advisable to familiarise yourself with the sprayer operation by filling it with water and testing the various spray patterns.
- Thick mixtures can clog the spray nozzle. Solutions of this kind should be strained and diluted to prevent blockages.
- Always wear the recommended safety clothing and equipment when handling chemicals and operating the sprayer.
- Avoid spraying on windy days and around pets or children.

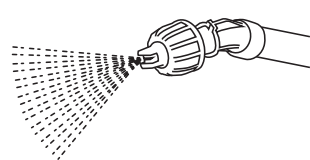
1. Before filling the sprayer with chemicals, it is recommended to fill the sprayer with water only to ensure all connection points do no leak.
2. To fill the sprayer, stand the sprayer on a level surface. Fill the tank with the strainer in place to catch any debris or solids. Do not fill the container above the maximum mark.
Tip: When using chemicals, avoid filling sprayer from the central water supply and do not immerse the end of the hose in the solution. Sudden low pressure in the system may cause the solution to be sucked back into the water supply.
3. After filling the bottle, tighten the tank lid back on sprayer.
Tip: Hang a tag on the sprayer to note what chemical is being used.
4. The sprayer is now ready for use, ensure proper posture when lifting the sprayer and adjust straps for comfort.
5. Pump the handle on the sprayer to until you feel firm resistance to build up pressure for spraying.
6. Release the spray by using the trigger sprayer. Switch control from intermittent or continuous spraying, by sliding the tab on the trigger handle.



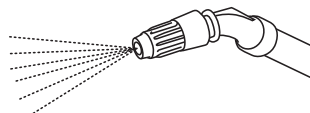
Spray Tip Nozzles

Different spray tips are supplied to provide a variety of spray patterns.

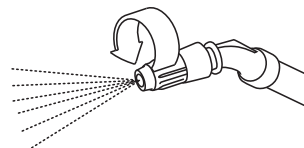
(A) Flat Fan Nozzle



(B) Cone Spray Nozzle



The cone spray nozzle can be adjusted from a stream to a scatter spray.

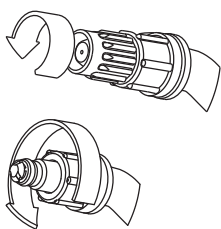


For a scatter spray, turn the nozzle clockwise.

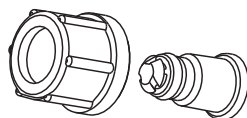


For a stream spray, turn the nozzle counterclockwise.

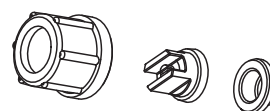
Strip Spray: Your sprayer comes with an additional strip spray nozzle attachment to aid in controlled spraying.



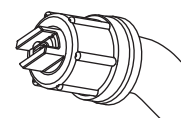
To fit strip spray, remove the current nozzle from the attachment cap.



Remove nozzle from cap.



Re-assemble the two green halves of nozzle and store safely. Place strip spray nozzle into rear of attachment cap along with filter.



Replace assembly onto end of nozzle elbow.

Application

- Work only in the open or in well-ventilated locations, e.g. open greenhouses.
- Never blow through nozzles or other components by mouth.
- Avoid contact with plant control chemicals, immediately change clothing contaminated with plant control chemicals.
- Do not spray in windy conditions.
- Too high or too low pressure or unfavorable weather conditions can result in the wrong solution concentration.
- Overdosing may damage plants and the environment. Underdosing may result in unsuccessful plant treatment.

After Use

- Release pressure from the sprayer unit before refilling or replacing parts. This is done by pressing the on/off trigger and letting out as much air or liquid as possible through the lance and nozzle assembly.
- After you have ensured the sprayer contains no pressure, remove the tank cap and empty any liquid left inside the container.
Note: Even though the bottle may have no liquid left inside, the actual pump chamber may still contain residual fluid in it.
- To empty the residual fluid, press and lock the on/off trigger for continuous spraying, then pump handle a few times and ensure that all liquid and air is fully expelled.
- Refill the bottle with approximately 2 litres of clean tap water, then with the on/off trigger pressed and locked for continuous spraying, pump handle and start expelling all the water until empty.
- Make sure that the sprayer is not pressurised and contains no liquid. Do not store in direct sunlight and store out of reach of children. Refer to detailed safety instructions in this manual.

Maintenance Advice

- Over a period of time chemicals can leave a build up of residue which normal cleaning will not remove. This build up can collect around the seals and inside the hose and pump. If left, this build up will eventually prevent the sprayer from working.
- To overcome this problem we recommend that the sprayer bottle be half filled with hot (not boiling) water from your domestic hot water supply. By pressing the sprayer on/off button and start expelling all the water until empty.
- The hot water should dissolve the built up residue and the sprayer will continue to operate normally.
- **Important:** For safety, ensure you wear protective clothing, goggles and gloves during this operation.
- **Important:** If for some reason your sprayer needs to be returned for warranty purposes, PLEASE wash it out thoroughly to protect our service technicians from exposure to unknown substances.

Troubleshooting

Symptom	Remedy
<ul style="list-style-type: none">▪ Pump is working but spray isn't being released.	<ul style="list-style-type: none">▪ The hose and/or filter may have become blocked. Follow the maintenance advice to remove any blockages and built up residue.

Warranty

AMES Australasia Pty Ltd (AMES) guarantees that this product will be free from defects in workmanship and materials for 2 years from the date of purchase. If such a defect becomes evident during that period, AMES will, at its option, either repair, replace or refund the product. In the event of such a defect, the product should be returned to the place of purchase (together with proof of purchase and the original packaging) at the address below. Any handling and transportation costs (and other expenses incurred in claiming under this guarantee) are not covered by this guarantee and will not be borne by AMES. The obligation of AMES under this guarantee is limited to the circumstances set out above and is subject to; the customer being able to evidence the acquisition of the product, the purchase price paid for the product and the relevant defect in materials or workmanship; the product not having been altered, tampered with or otherwise dealt with by any person in a manner other than as intended in respect of the relevant product; and the product not having been used or applied in a manner that is contrary to customary usage or application for the relevant product or contrary to any stated instructions or specifications of AMES. In addition to other rights and remedies that may be available under law, our goods come with guarantees that cannot be excluded under the Australian Consumer Law (for consumers in Australia) and the Consumer Guarantees Act (for consumers in NZ). If you are a consumer in Australia, you are entitled to a replacement or refund for a major failure and compensation for any other reasonably foreseeable loss or damage. You are also entitled to have the goods repaired or replaced if the goods fail to be of acceptable quality and the failure does not amount to a major failure. If you are a consumer in New Zealand, we will comply with our obligations to you under the Consumer Guarantees Act. Call: (Australia) 1300 381 559 E-mail: nylex@amesau.com Address: Ames Australasia Pty Ltd, 1/660 Doncaster Road, Doncaster, Victoria, Australia, 3108. Website: www.nylex.com.au